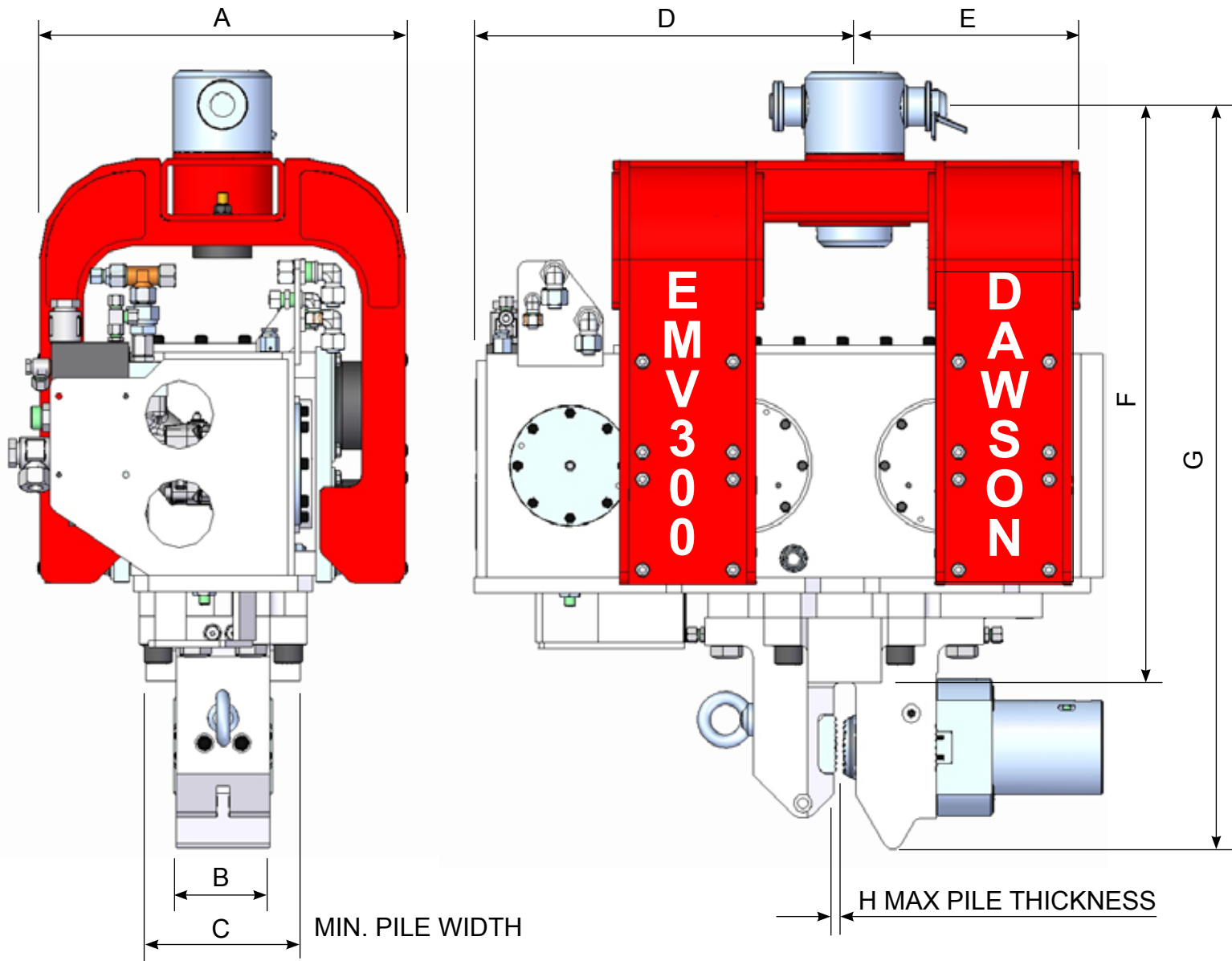
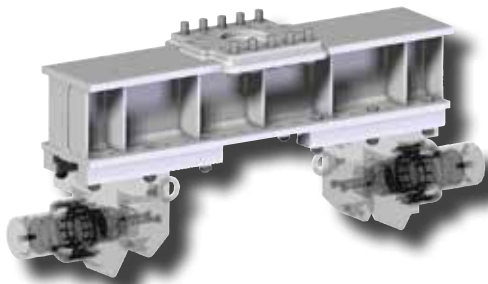


EMV300 EXCAVATOR MOUNTED VIBRATOR BASIC TECHNICAL SPECIFICATIONS

SPECIFICATIONS	EMV300	
UNITS	METRIC	US
STATIC MOMENT	4.6 kgm	400 in lbs
FREQUENCY	2400 rpm	
CENTRIFUGAL FORCE	300 KN	67,420 lbs.F
AMPLITUDE	14.7 mm	0.58 in
MIN. HYDRAULIC FLOW RATE	130 L/min	35 gpm
MAX. HYDRAULIC FLOW RATE	250 L/min	67 gpm
MAX. HYDRAULIC PRESSURE	350 bar	5,076 psi
MIN. HYDRAULIC POWER	60 kW	80 hp
DYNAMIC MASS	625 kg	1,380 lbs
TOTAL MASS	965 kg	2,123 lbs
MAX. PILE MASS	800 kg	1,760 lbs
MAX. PUSH/PULL FORCE	15,000 kg	33,000 lbs
CLAMP FORCE	36 tonne	
TYPICAL EXCAVATOR WEIGHT	12 - 35 tonne	13 - 39 ton



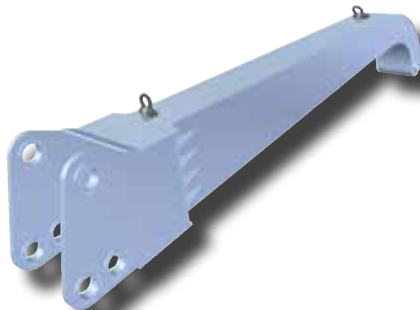
DIMENSIONS	A	B	C	D	E	F	G	H
mm	615	150	250	582	429	927	1200	25
in	24.2	6	10	23	17	36.5	47.25	1



CAISSON BEAM

Caisson beam jaw assemblies can be positioned to suit any tube size between Ø300 I.D & Ø1100 mm O.D.

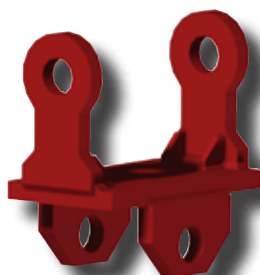
Part Number	Caisson Beam Assembly
4900	



SWAN NECK

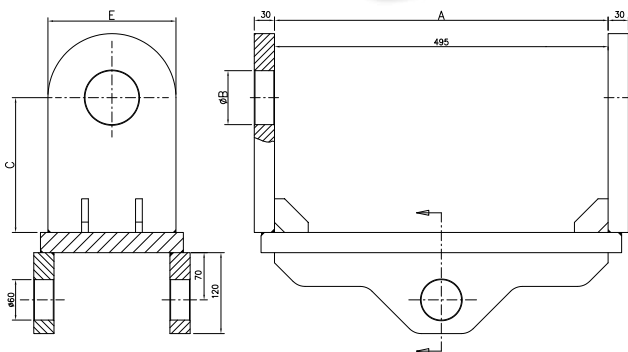
For extended reach and greater pile clearance on your excavator arm, enabling longer piles to be driven.

Part Number	Swan Neck
SN01-000-01	



ADAPTOR BRACKETS

Part Number	Dimensions - mm				Dipper Pin Part Number
	A	B	C	D	
4063	340	60	175	140	4089
4063A	495	80	200	190	4089A
4063C	458	89.5	225	190	4089C
4063D	410	60	200	190	4089D
4063E	458	60	225	190	4089E
4063F	495	63.75	200	190	4089F
4063M	458	63.75	225	190	4089M
4063R	495	69.85	225	190	4089R



QUICK HITCH ADAPTOR

When an excavator has a guide hitch fitted and a double acting breaker to supply the EMV, the Dawson quick hitch adaptor bracket supplies fast, easy connection to the end equipment while maintaining the same degree of movement.

Part Number	Quick Hitch Adaptor
4586	

CHAIN CLAMP

For all lifting applications. The unit indexes along the links of the chain and locks into place giving a quick and simple chain lock for lifting.

Features

- SWL of 2000 kg for the 8 mm chain clamp
3200 kg for the 10 mm chain clamp
8000 kg for the 16 mm chain clamp
- Robust high strength steel body
- Designed to withstand vibration - no screws or bolts!
- Minimal parts for durability
- Proof loading to twice the safe working load
- Quick coupling and release from load

Part Number	Chain Type	Safe Working Load
4130	16 mm	8 tonnes
TLR 360	10 mm	3.2 tonnes
4082	8 mm	2 tonnes

NEW ADDITIONAL SAFETY LATCH

